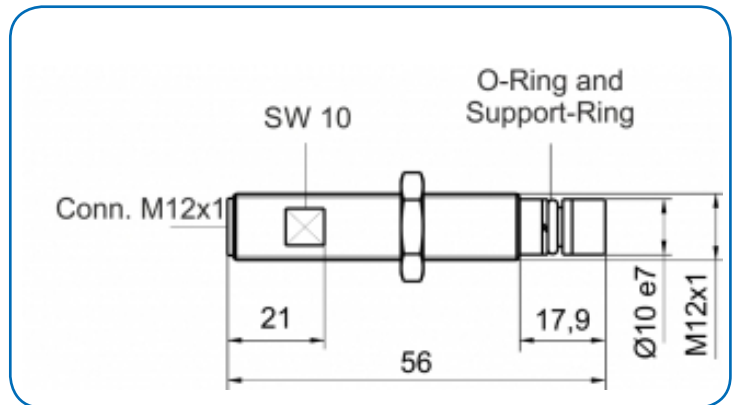


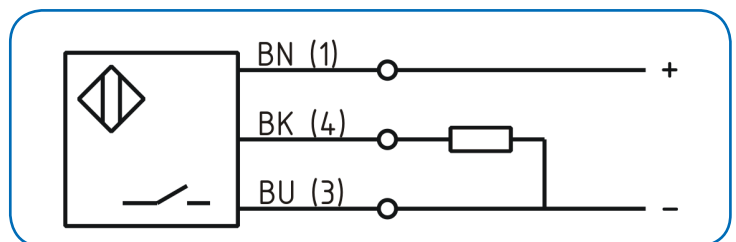
- Oil pressure resistant up to 500 bar
- Operating temperature -25 °C ...+90 °C
- Length pressure resistant area 17.9 mm



Dimensions



Wiring diagram



Technical data

Mounting		flush mountable
Nominal sensing distance S_n	mm	2,0
Hysteresis	%	≤ 15
Temperature drift	%	≤ 10
Ambient temperature	%	-25 °C...+90 °C

Mechanical data

Dimensions	mm	M12x1 x 56
Housing Material		Stainless steel
Pressure resistance		≤ 500
Protection class	bar	IP 69K
Connection		M12 4-pin

Electrical data

Signal type		DC
Wiring		3-Draht
Switch type		NO
Switching output		PNP
Rated operat. voltage	V	24 DC
Operating voltage	V	10...30 DC
Residual ripple	%	≤ 10
Switching frequency	Hz	400
Output current	mA	200
No-load current	mA	≤ 10
Off-state current	mA	≤ 10
Voltage drop	V	≤ 2,4
Overload current		Yes
Short-circuit proof		Yes
Reverse polarity protection		Yes

Type: IHP-2,0-12BPS/56-ST4/17,9